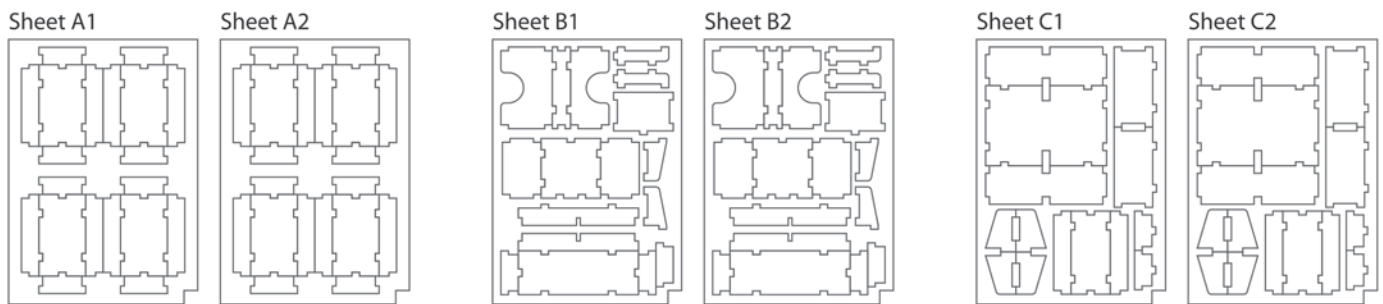
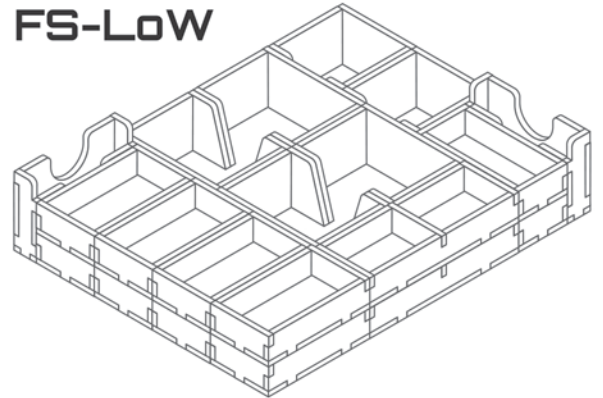


FS-LoW insert
compatible with Lords of Waterdeep®,
incl. Scoundrels of Skullport® expansion

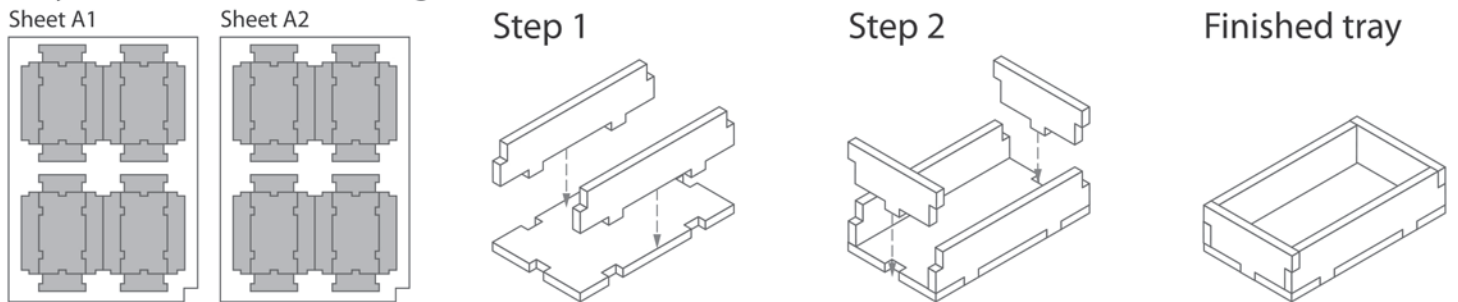


Assembly Instructions

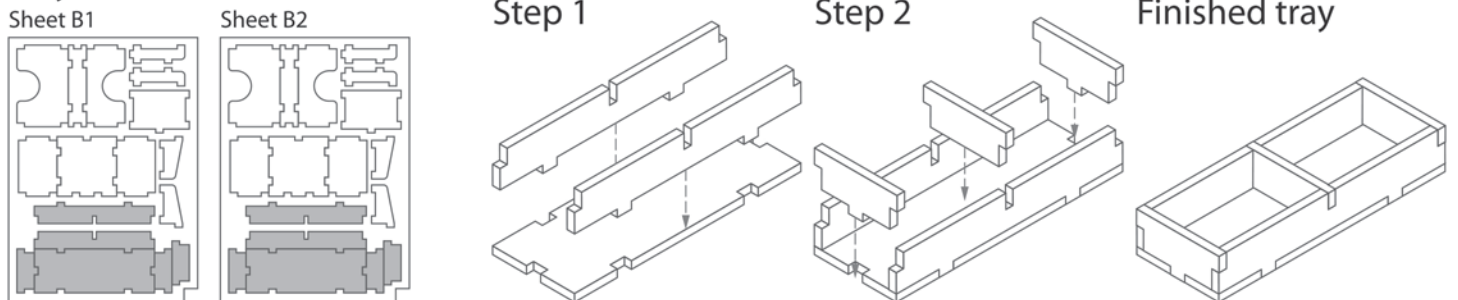
The package contains 6 sheets, three of them are identical to the other three.
After assembly the trays are put in two layers in the original game box.
Ordinary PVA glue is required when assembling each tray, for extra strength.
Please make sure you dry-assemble each tray correctly before gluing it together.
Please check www.foldedspace.net for general assembly tips.



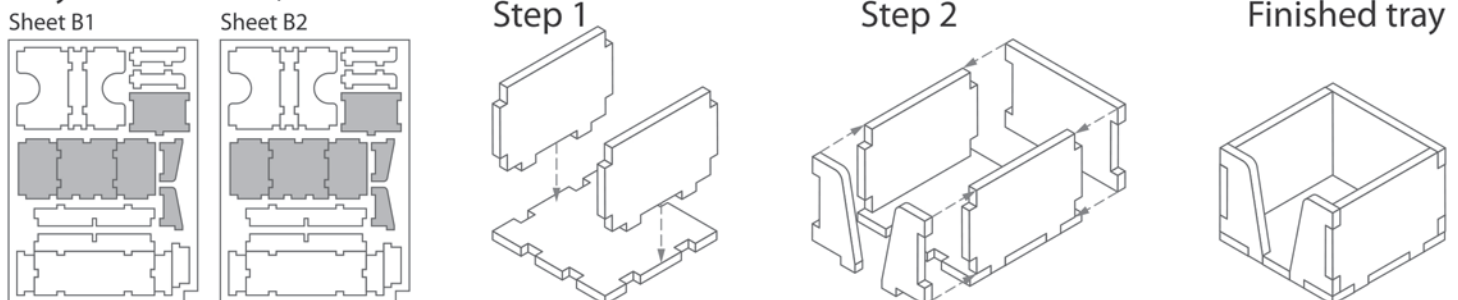
Tray 1a, 1b, 1c, 1d, 1e, 1f, 1g & 1h (the trays are identical)



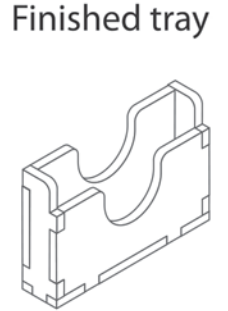
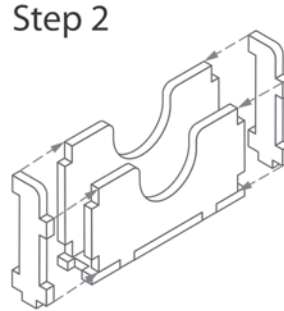
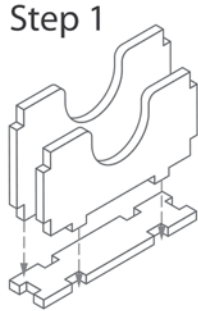
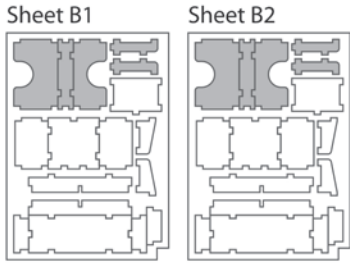
Tray 2a & 2b (the trays are identical)



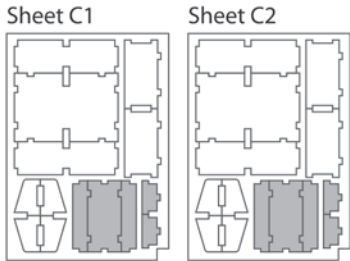
Tray 3a & 3b (the trays are identical)



Tray 4a & 4b (the trays are identical)

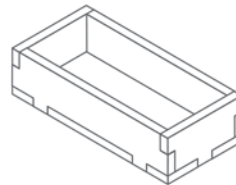


Tray 5a & 5b (the trays are identical)

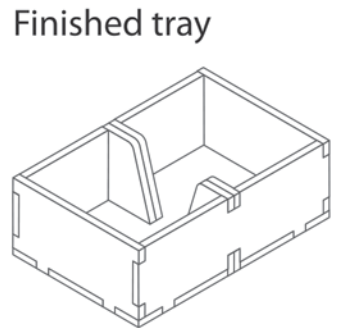
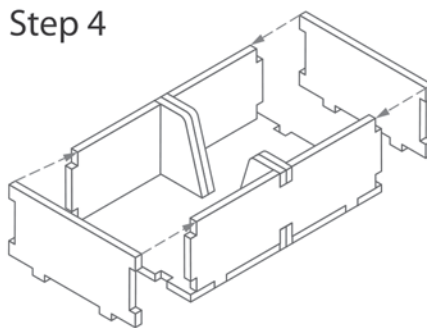
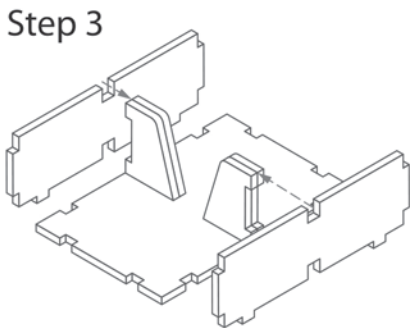
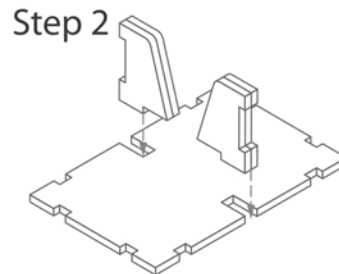
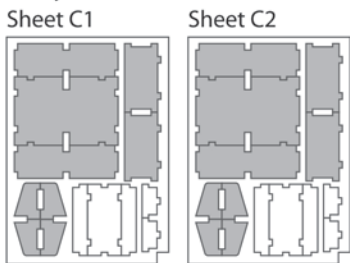


To assemble repeat steps for Tray 1.

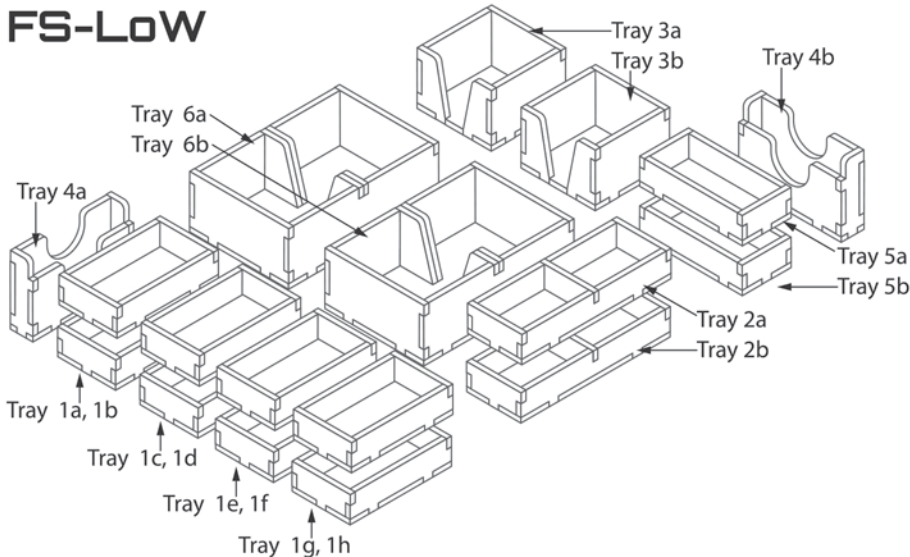
Finished tray



Tray 6a & 6b (the trays are identical)



FS-LoW



Please check www.foldedspace.net for photos of this insert in use.

Tray legend:

- Tray 1a, b, c, d, e, f - player pieces
- Tray 1g - gold pieces
- Tray 1h - victory points
- Tray 2a - clerics and wizards
- Tray 2b - fighters and rogues
- Tray 3a, b - building tiles
- Tray 4a, b - lord cards
- Tray 5a - corruption tokens
- Tray 5b - other tokens
- Tray 6a - intrigue cards
- Tray 6b - quest cards